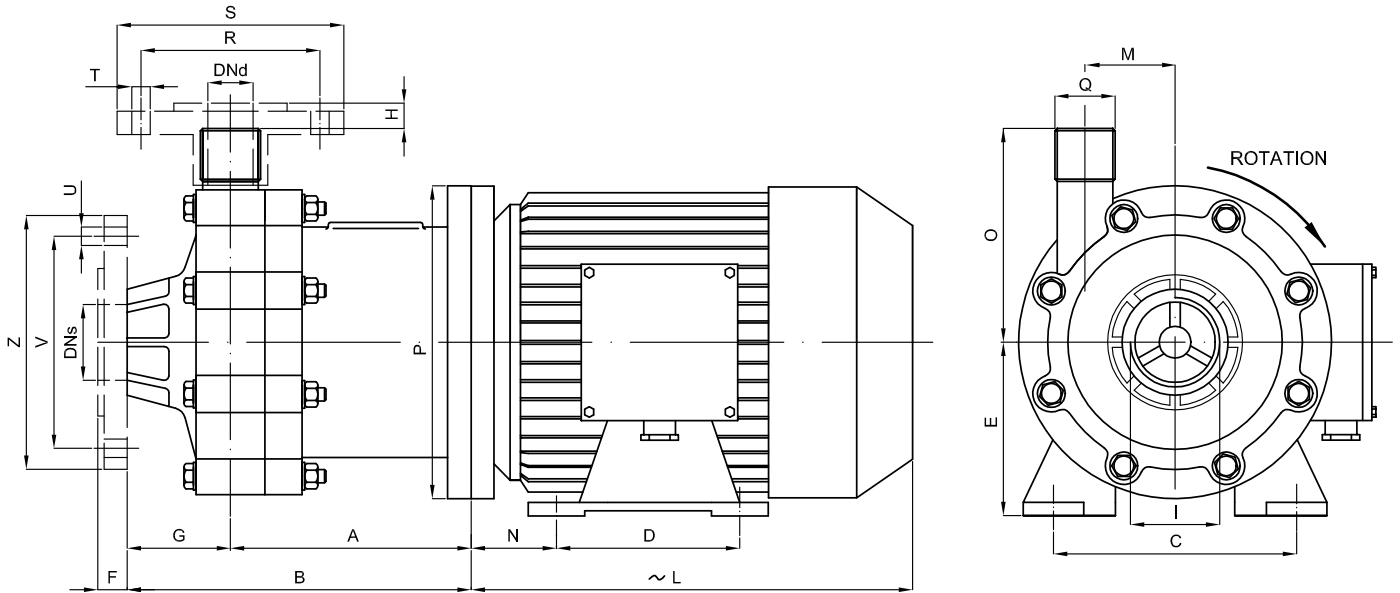


Magnetic drive pump

Type MB4 / MB6 / MB10 - PP/PVDF



NOTE:
DIRECTION OF ROTATION IS COUNTER CLOCKWISE
AS SEEN WHEN FACING THE MOTOR.
PUMPS AVAILABLE THREADED OR FLANGED.

THE DIMENSION'S ARE PURE INDICATIVE AND CAN BE
CHANGED WITHOUT PRIOR NOTICE.

Pump	Motor flange B3 - B5	kW	DIMENSIONS - mm -														
			A	B	C	D	E	F	G	H	I	~ L	M	N	O	P	Q
MB4	56 B	0.12	76	115	90	71	56	—	39	—	1 FPT	167	34	36	80	120	1/2 MPT
MB6	63 B	0.25	84	143	100	80	63	18	59	10	1 FPT	189	45	40	98	140	3/4 MPT
MB10	71 B	0.55	110	180	112	90	71	20	70	9	1 1/2 FPT	207	45	45	100	160	1 MPT

Pump	FLANGES DIMENSIONS - mm -							
	R	S	T	U	V	Z	DNs	DNd
MB4	—	—	—	—	—	—	—	—
MB6	75	105	14	14	85	115	25	20
MB10	85	115	14	18	110	150	40	25

FLANGES
DIN PN 10