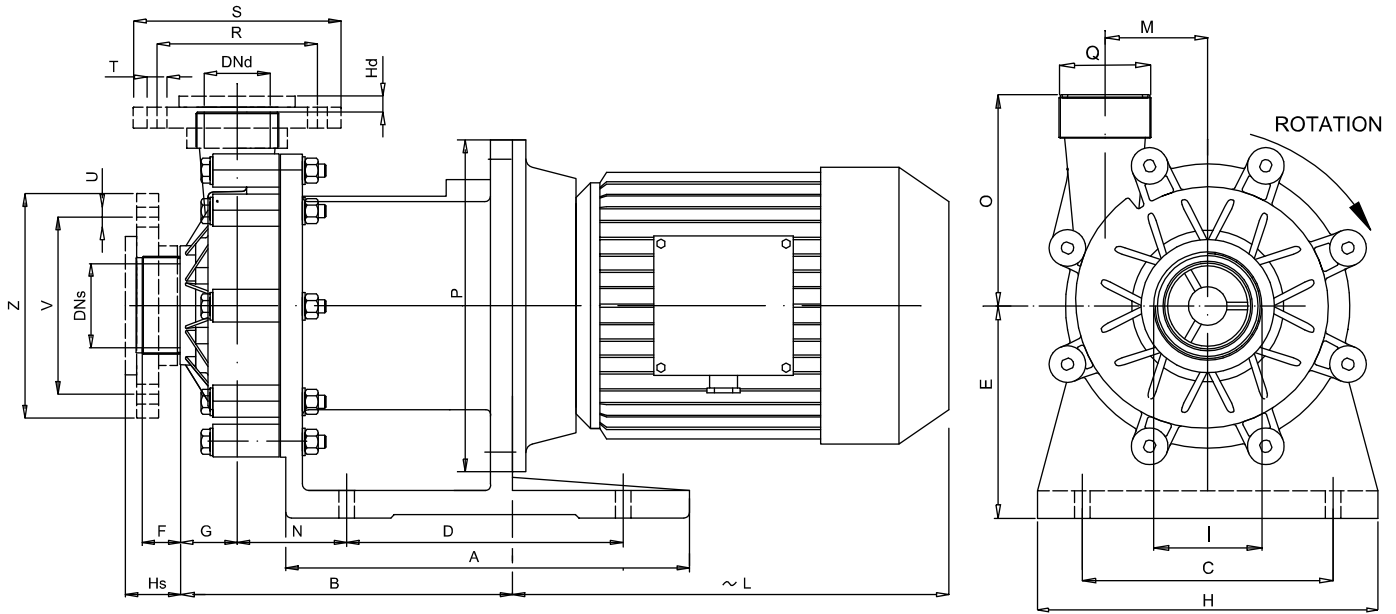


# Magnetic drive pump

## Type MB50 - PP/PVDF



NOTE:  
DIRECTION OF ROTATION IS COUNTER CLOCKWISE  
AS SEEN WHEN FACING THE MOTOR.  
PUMPS AVAILABLE THREADED OR FLANGED.

THE DIMENSION'S ARE PURE INDICATIVE AND CAN BE  
CHANGED WITHOUT PRIOR NOTICE.

Pump	Motor flange B5	kW	DIMENSIONS - mm -																
			A	B	C	D	E	F	G	H	Hs	Hd	I	~ L	M	N	O	P	Q
MB50	132 S	5.5	365	300	216	250	192	40	52	274	50	10	3" MALE	360	82.5	98	180	300	2 1/2" MALE
MB50	132 M	7.5	365	300	216	250	192	40	52	274	50	10	3" MALE	400	82.5	98	180	300	2 1/2" MALE

Pump	FLANGES DIMENSIONS - mm -								FLANGES DIN PN 10
	R	S	T	U	V	Z	DNs	DNd	
MB50	145	188	18	18	160	203	80	65	